

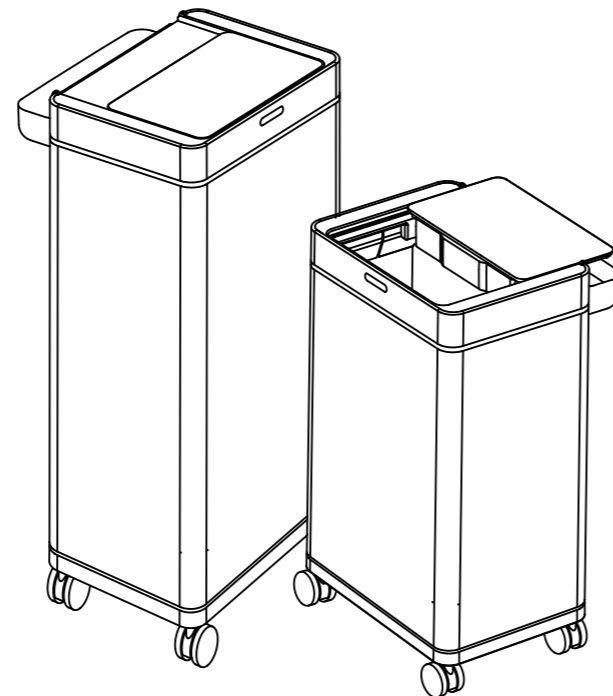
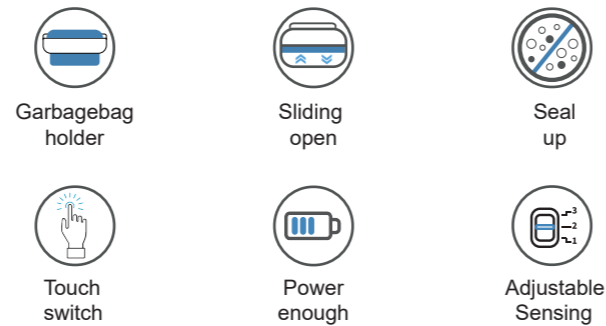
MALFUNCTIONS AND SOLUTIONS

Malfunctions	Solutions
The lid fails to open	Check if the batteries are installed properly or if the batteries are in good contact with springs.
	Check if the switch is turned on.
	Leave the inductive area for 10 seconds and then try again.
The lid fails to close	Check if there is interferent in the inductive area.
	The circuit may be damp. Turn off the switch and put the lid in a ventilated place until it is dry then try again.
The lid opens very slowly	The batteries are running low, pls replace with new ones.
	Remarks: If the above solutions don't work, please consult local sales agency.

ATTENTIONS

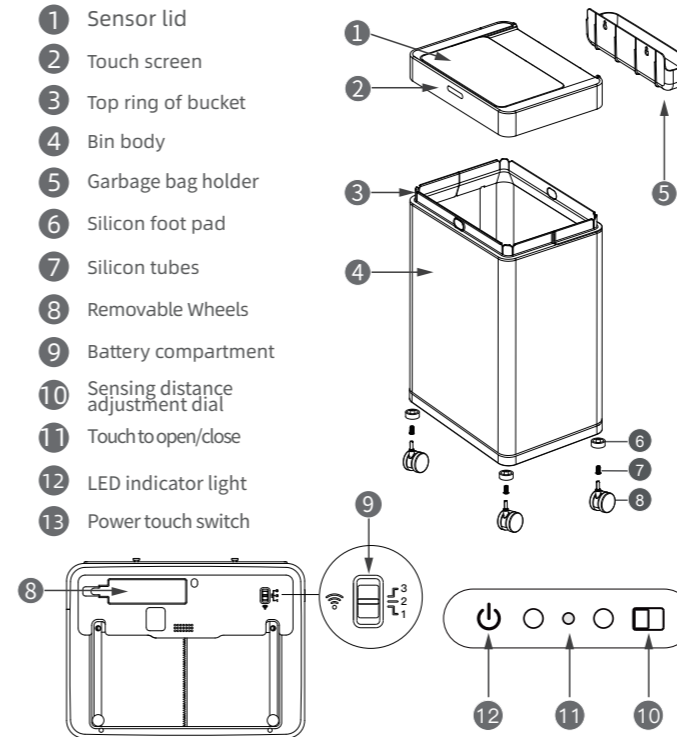
1. Please pay attention to the polarity when you install the batteries.
2. Place the product in a dry indoor environment. Do not use it in high-temperature (over 45°C) or humid environment.
3. To better protect the motor, please do not close or open the lid directly with other forces. Lid will be closed automatically after 5 seconds.
4. This product adopts 4~6pcs of alkaline AA batteries which can be used for 4 months in proper situation (this is testing data of 30 times to open and close a day in laboratory, it will be different from practical situation due to various condition and environment).
5. If batteries run out or left unused for a long time please take them out or replace new ones in time to prevent over discharge or leakage.
6. Please keep the product away from heat, hard light and wind to avoid the mistake to open automatically.
7. Please do not replace unauthorized components or repair it by yourself.

SENSOR BIN



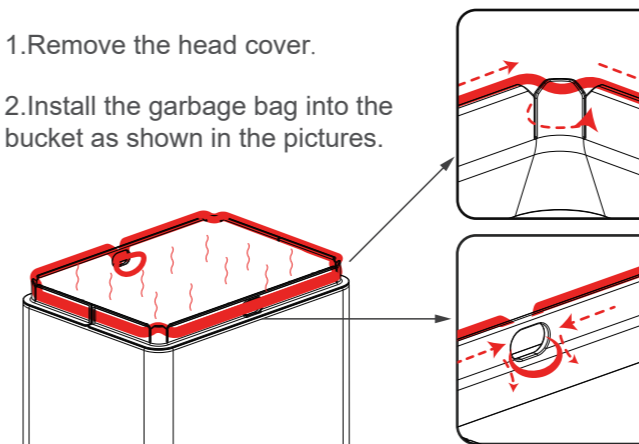
PARTS LIST

- 1 Sensor lid
- 2 Touch screen
- 3 Top ring of bucket
- 4 Bin body
- 5 Garbage bag holder
- 6 Silicon foot pad
- 7 Silicon tubes
- 8 Removable Wheels
- 9 Battery compartment
- 10 Sensing distance adjustment dial
- 11 Touch to open/close
- 12 LED indicator light
- 13 Power touch switch



INSTALL GARBAGE BAG

1. Remove the head cover.
2. Install the garbage bag into the bucket as shown in the pictures.



OPERATING INSTRUCTION

Power touch switch:

Touch the switch screen and hold on 3 seconds, the middle LED light will turn green to indicate the power is on. Touch the switch screen and hold on 3 seconds again, the LED light will flash and power be off.



Automatic Sensing mode:

When people or objects enter the automatic Sensing area, the lid will open automatically, and the Sensing area is right in front of the touch area.

Delayed closing mode:

In automatic sensing mode, the lid will remain open when people or objects stay in the Sensing area. After the human or object leaves, the lid will close automatically after the LED light flashes for 5 seconds.

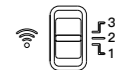
Manual normally open mode:

Touch the switch screen, the cover opens immediately and remains normally open. Touch the switch lid button again, the lid will close immediately and return to auto-sensing state. normally open 120 seconds.



Sensing distance adjustment:

The corresponding grade can be adjusted individually by consumer requirements. 1st gear 10cm, 2nd gear 20cm, 3rd gear 30cm, tolerance $\pm 5\text{cm}$. Note: Factory test data, please refer to actual use.



Description of LED indicator light:

When the white light flashes, it means the Sensing count-down; when the white light is always on, it means the touch normally open mode.

If the green light is always on, it means that the ozone function is working. If the red light is flashing, it means the batteries are running out, pls replace the batteries.



Install the garbage bag holder:

1. Align the two holes of bag holder with the two buttons behind sensor lid then insert them into place.
2. Press the bag holder down vertically.
3. Pull the bag holder to the right horizontal direction and set well.

